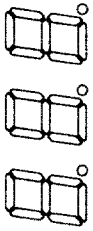
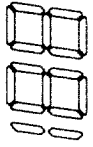
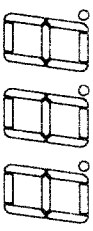


LED DISPLAY

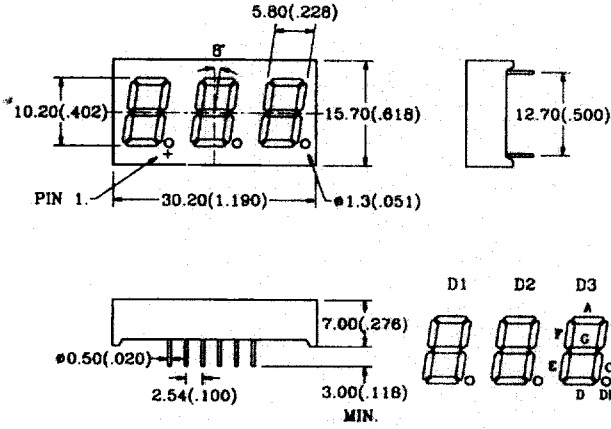
THREE DIGIT LED DISPLAYS

Digit Size	Part No.		Chip		Absolute Maximum Ratings				Electro-optical Data(At 10mA)			Drawing No.
	Common Anode	Common Cathode	Emitted Color	Peak Wave Length λ (nm)	$\Delta\lambda$ (nm)	Pd (mW)	If (mA)	Peak If (mA)	Vf (V)		Iv Typ. Per Seg. (mcd)	
									Typ.	Max.		
	BT-M401RD	BT-N401RD	Red	655	40	110	40	200	1.6	2.0	0.8	TD-01
	BT-M405RD	BT-N405RD	Bright Red	700	90	50	15	50	2.1	2.5	1.5	
	BT-M405RE	BT-N405RE										
	BT-M402RD	BT-N402RD	Green	568	30	100	30	150	2.1	2.5	2.5	
	BT-M403RD	BT-N403RD	Yellow	585	35	100	30	150	2.0	2.5	2.0	
	BT-M404RD	BT-N404RD	Hi-Eff Red	635	45	100	30	150	1.9	2.5	2.5	
			Orange									
BT-M406RD	BT-N406RD	Super Red	660	20	60	20	150	1.7	2.5	5.5		
	BT-A411ND	BT-C411ND	Red	655	40	100	40	200	1.6	2.0	0.8	TD-02
	BT-A415ND	BT-C415ND	Bright Red	700	90	50	15	50	2.1	2.5	1.5	
	BT-A415NE	BT-C415NE										
	BT-A412ND	BT-C412ND	Green	568	30	100	30	150	2.1	2.5	2.5	
	BT-A413ND	BT-C413ND	Yellow	585	35	100	30	150	2.0	2.5	2.0	
	BT-A414ND	BT-C414ND	Hi-Eff Red	635	45	100	30	150	1.9	2.5	2.5	
			Orange									
BT-A416ND	BT-C416ND	Super Red	660	20	60	20	150	1.7	2.5	5.5		
	BT-A511RD	BT-C511RD	Red	655	40	100	40	200	1.6	2.0	0.9	TD-03
	BT-A515RD	BT-C515RD	Bright Red	700	90	50	15	50	2.1	2.5	1.2	
	BT-A515RE	BT-C515RE										
	BT-A512RD	BT-C512RD	Green	568	30	100	30	150	2.1	2.5	2.8	
	BT-A513RD	BT-C513RD	Yellow	585	35	100	30	150	2.0	2.5	2.0	
	BT-A514RD	BT-C514RD	Hi-Eff Red	635	45	100	30	150	1.9	2.5	2.5	
			Orange									
	BT-A516RD	BT-C516RD	Super Red	660	20	60	20	150	1.7	2.5	5.0	
	BT-M511RD	BT-N511RD	Red	655	40	100	40	200	1.6	2.0	0.9	TD-04
	BT-M515RD	BT-N515RD	Bright Red	700	90	50	15	50	2.1	2.5	1.2	
	BT-M515RE	BT-N515RE										
	BT-M512RD	BT-N512RD	Green	568	30	100	30	150	2.1	2.5	2.8	
	BT-M513RD	BT-N513RD	Yellow	585	35	100	30	150	2.0	2.5	2.0	
BT-M514RD	BT-N514RD	Hi-Eff Red	635	45	100	30	150	1.9	2.5	2.5		
		Orange										
BT-M516RD	BT-N516RD	Super Red	660	20	60	20	150	1.7	2.5	5.0		

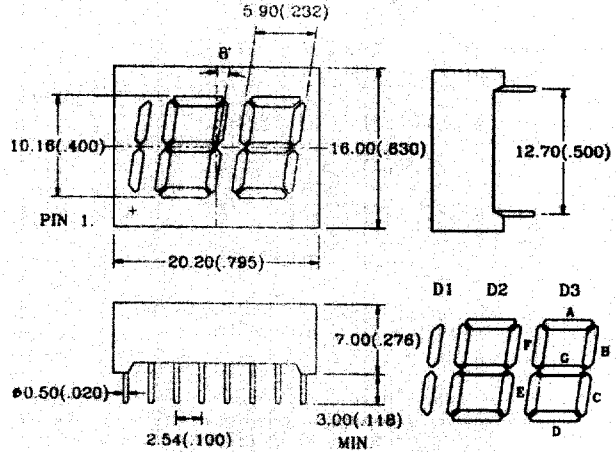
Remark: The average luminous intensity is obtained by summing the luminous intensity of each segment and dividing by total number of segments.
 Above part numbers are all with black surface and white segment. For part numbers with other surface and segment color combinations, please check the selection guide Part number system.

LED DISPLAY

TD-01 BT-M_N40xxx Series



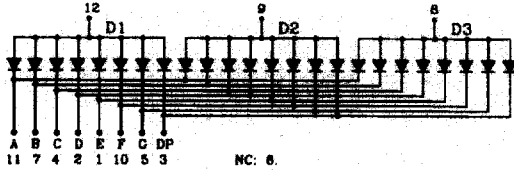
TD-02 BT-A₃1xxx Series



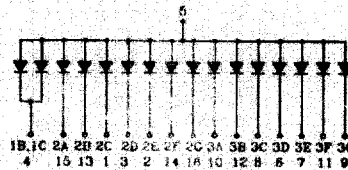
PACKAGE DIMENSIONS

- NOTES:
1. All Dimensions are in millimeters (inches).
 2. Tolerance is $\pm 0.25\text{mm}$ (.010") unless otherwise specified.
 3. Specifications are subject to change without notice.
 4. NP: No Pin.
 5. NC: No Connect.

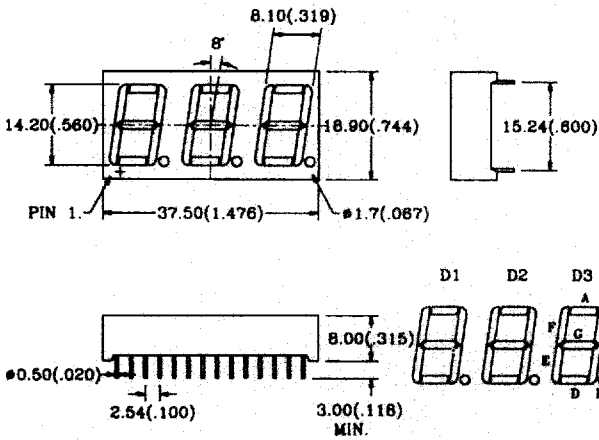
BT-M40xxx



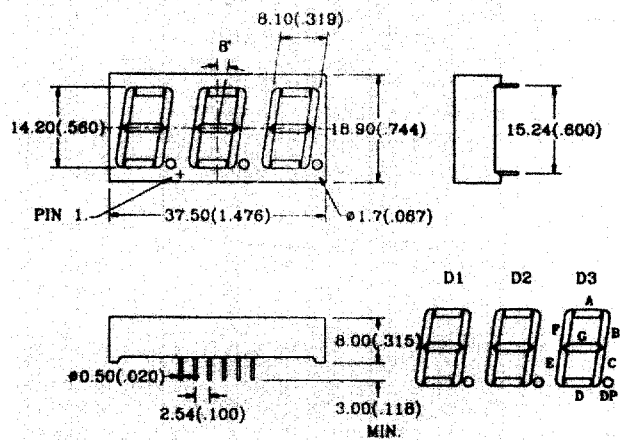
BT-A41xxx



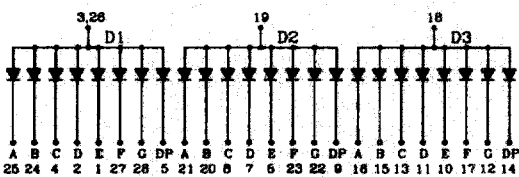
TD-03 BT-A_C51xxx Series



TD-04 BT-M_N51xxx Series



BT-A51xxx



BT-M51xxx

